



ACCESS DENIAL SYSTEMS

Entrance & Storefront Security Glazing



- ✓ Simple
- ✓ Discrete
- ✓ Effective

Patented
#17525645
#17525545

Riot Glass, LLC
17941 Brookshire Lane
Huntington Beach, CA 92647
800-580-2303
info@riotglass.com
www.riotglass.com



ArmorPlast® Gen II Storefront Security Systems

The Standard in Storefront Security Systems

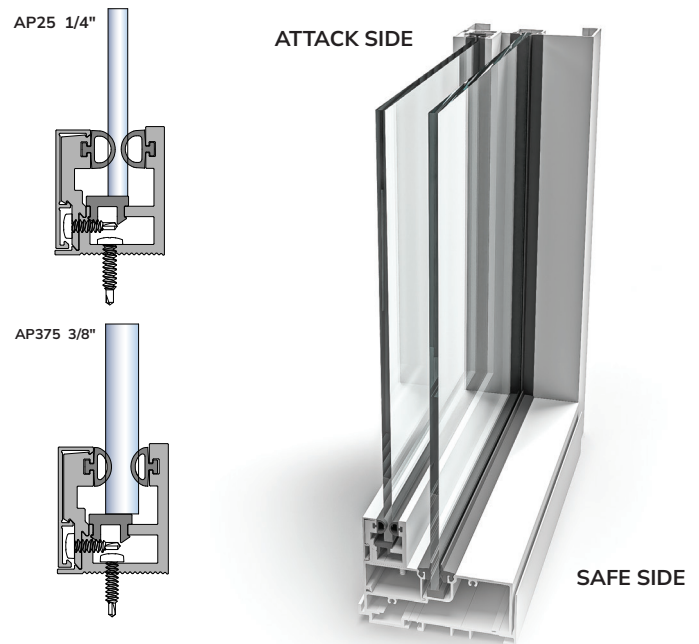
AP2-STD-SF - Standard

Excellent Smash and Grab Protection

Our most popular system is the ArmorPlast Gen II over-glaze standard duty storefront retrofit system. This light weight system is incredibly strong and provides exceptional security at an affordable price. Gen II discourages repeat break-in attempts and glass breakage vandalism.

- Easy panel replacement if damaged
- Interior or exterior installation
- Always there "invisible board-up"
- Installed with common tools

Standard series storefront security system
for 1/4" and 3/8" security infills



Heavy Duty Storefront Security System

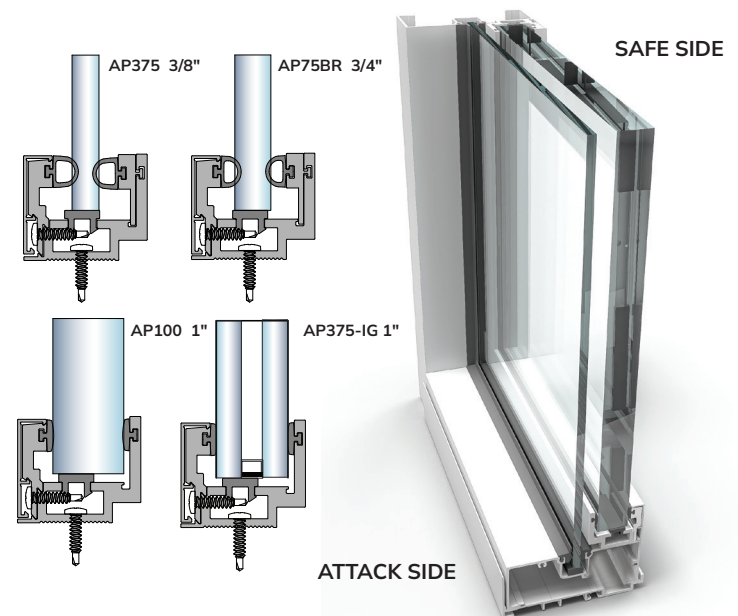
AP2-HD-SF - Heavy Duty

Maximum Protection Against Forced Entry and Level 1-3 Ballistic Attacks

This system provides next-level protection to thwart forced entry and ballistic attacks. Designed to install in front of the existing glass or behind it, the HD security framing is engineered to accommodate our AP or RG infill panels from 3/8" to 1" in thickness making it the perfect choice for high-level intrusion resistance and ballistic protection. Similar to the standard ArmorPlast Gen II system, the HD framework is easily installed with standard fasteners and sealants. When installed on the exterior, the process can even be done during business hours without client downtime.

- Notched base for shallow storefronts
- Interior installation recommended
- Permanent alternative to board-up
- Easily installed with common tools

Heavy duty series storefront security system
for 3/8", 3/4", 1" and up to 1" I.G. security infills



ArmorPlast® Gen II Storefront Security Systems

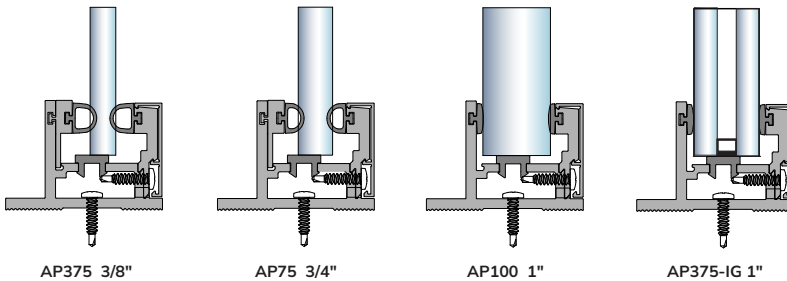
Heavy Duty Conversion Series Security Systems

AP2-SF-HD - ArmorPlast® Conversion Series

Ultimate Forced Entry Protection Ballistic Security up to Level 3

- Replaces existing storefront glass
- Fits all storefronts, non-thermal, and thermal
- Suitable for extreme climate conditions
- Compatible with offset storefront and curtain wall

Heavy duty series storefront security system for 3/8", 3/8 BR", 3/4", AP100, and up to 1" I.G. security infills standard series storefront security system for 3/8" to 1" security infills

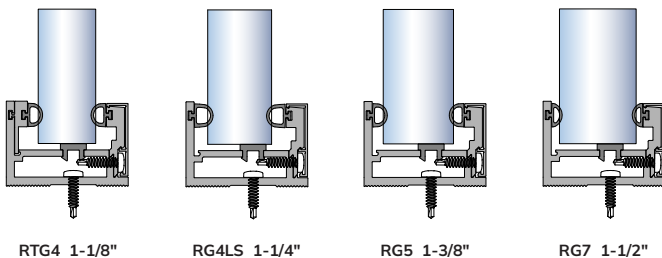


AP2-SF-HG - ArmorPlast® Conversion Series

Ultimate Forced Entry Protection Ballistic Security

- Replaces existing storefront glass
- Fits all storefronts, non-thermal and thermal
- Suitable for extreme climate conditions
- Designed for ballistic infill panels

Heavy glass series storefront security system for 1-1/8", 1-1/4", 1-3/8", 1-1/2" ballistic infills



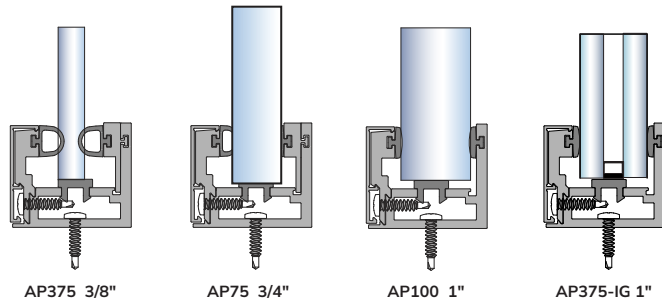
ArmorPlast® Gen II Storefront Security Systems

AP2-DC - ArmorPlast® Conversion Series | Aluminum Framed Door

Ultimate Forced Entry Protection Ballistic Security up to Level 3

- Replaces existing door glass
- Fits all 1-3/4" doors aluminum framed doors
- Requires removable glass stops
- Fast Installation

Heavy duty series storefront security system for 3/8", 3/4", 1" and up to 1" I.G. security infills



ATTACK SIDE



AP2-STD-SF



AP2-HD-SF



AP2-SF-HD



AP2-DC



AP2-SF-HG



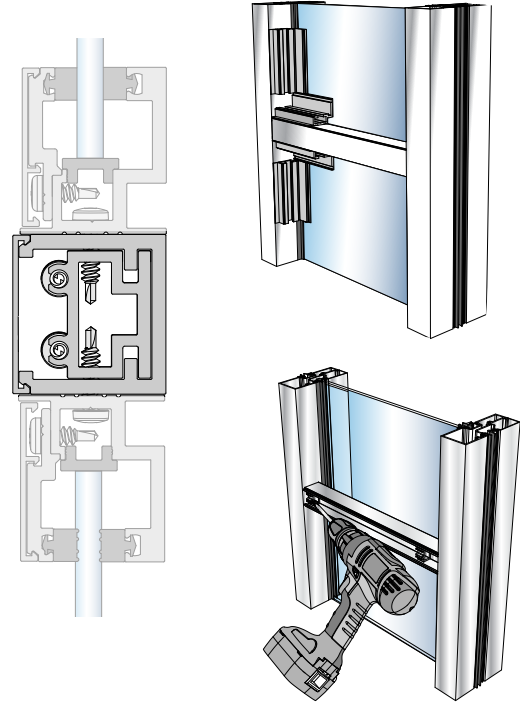
AP-IGU



New! To the ArmorPlast Lineup

STARTER MULLIONS

Designed for oversized storefront windows. Installs vertically or horizontally between existing storefront framework, interior or exterior. Starter mullions allow for the installation of Gen II security panels in openings that would otherwise be too large for ArmorPlast's maximum sheet sizes. Attached with shear blocks and finished with a snapcover for a finished look. Gen II framework is attached directly to the starter mullion. Gen II starter mullions are perfect for build-out applications and can be used on any storefront.



AP-IGU - New! ArmorPlast® Security IG Units

Riot Glass, LLC is proud to introduce our ArmorPlast AP-IGU, the industry's first unbreakable security insulating glass unit. We have combined the energy efficiency and sound mitigating qualities of a standard 1" insulating unit with the durability of our integrated ArmorPlast security panels. The dual glazed system is available with your choice of AP25, AP375, or AP375-BR security panels on the attack side. On the safe side of the AP-IGU you can choose from our full line of glass options. End users can safely apply graphics and stickers to the interior side without damaging the units. When the time comes to refresh your signage, removal is safe and worry-free.

Our new patented Shock Spacer™ allows the attack side to dissipate the kinetic energy shock waves to the edges without damage to the seal or glass breakage. AP-IGUs works perfectly with our Conversion Series Framing for single to dual-pane upgrades.

- Excellent thermal and acoustic performance
- Interior glass options include tints and UV protection
- Ideal for interior-applied films and graphics.
- Fits all 1" I.G. glass pockets

Clear, tinted, tempered,
and low-E glass options

AP25, AP375,
and AP375-BR
security infill options

Exclusive Riot Glass
shock spacer™



ArmorPlast® Gen II Storefront Security Systems

About ArmorPlast® and the Gen II's Flexible Framing System

ArmorPlast Gen II Security Systems by Riot Glass, LLC have been developed with 30 years of access denial experience. Evolving from knowledge gained over hundreds of installations across the country, the Gen II system sets a new standard for storefront security.

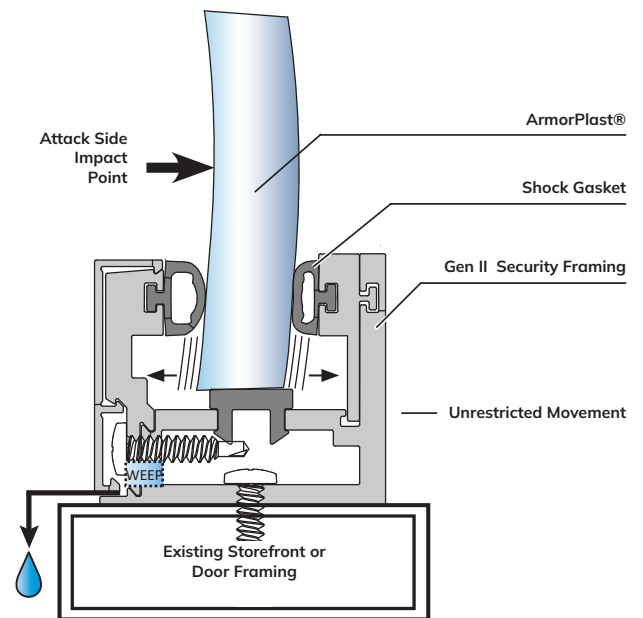
Riot Glass products make securing existing windows and glass doors cost-effective, quick, and easy. Complete download of training documents are available to all of our B2B customers.

ArmorPlast Gen II framing system has been redesigned by our engineering staff to meet the stringent forced entry requirements established by industry testing standards.

ArmorPlast Gen II framing is extruded from 6063 T-5 aluminum with heavy gauge walls - twice the thickness of most storefront framing members. Our tempered extrusions not only provide a solid mount for security infill panels, but also strengthen the underlying storefront structure when installed in accordance with manufacturer's specifications.

The Gen II framing system allows natural expansion and contraction of polymer security panels to minimize distortion. The captured panels move freely inside the Gen II framework resulting in maximum shock dissipation. The net result is a security barrier that is virtually impenetrable, yet invisible to the casual observer.

Our full line of ArmorPlast security panels are made from our patented extruded polymer with high-impact resistance and crystal clear optics. Incorporating technology commonly used in aircraft windshields, AP security panels are light weight and extremely durable, making them a perfect choice for storefront security. Riot Glass polymers utilize a premium blend of polycarbonate, acrylics, and other plastics specifically engineered for high-impact resistance, UV protection, and abrasion resistance to ensure maximum strength and longevity.



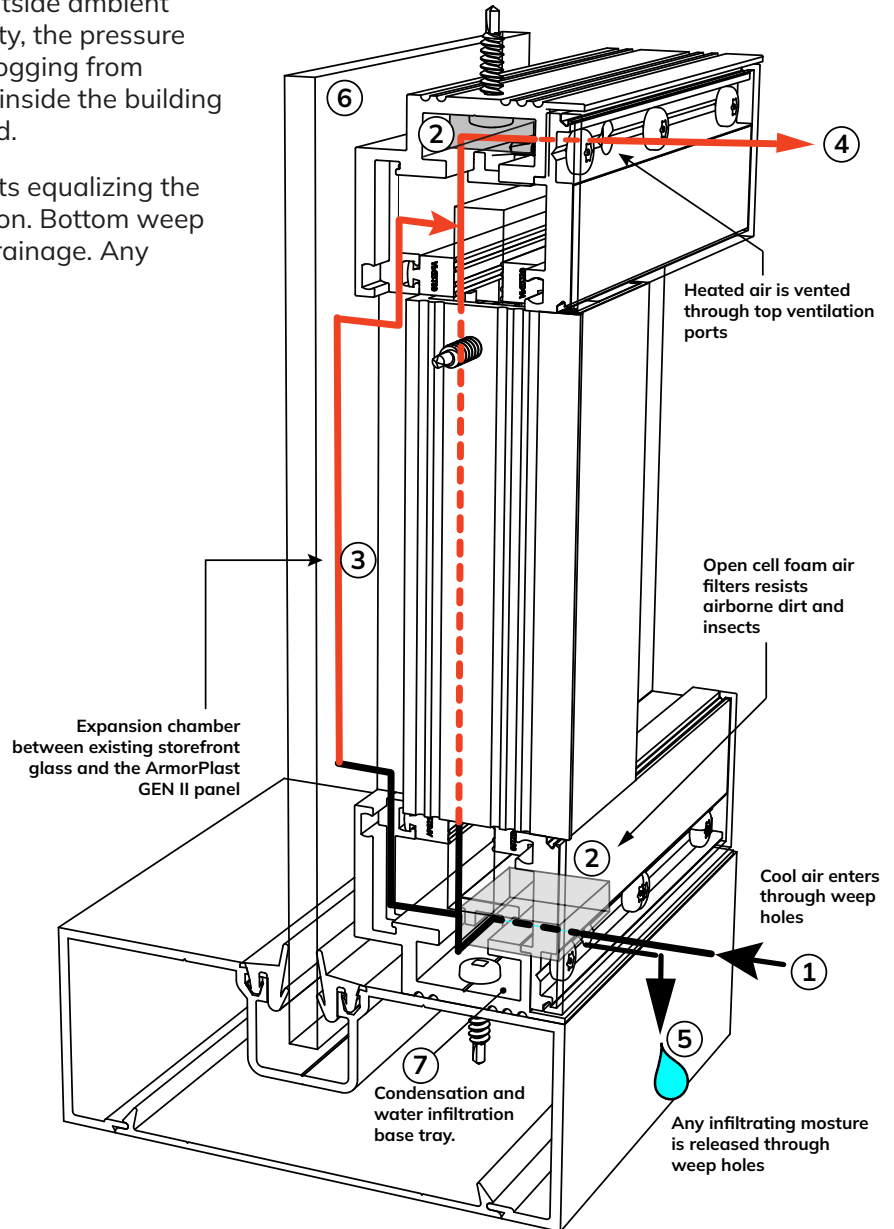
ArmorPlast® Gen II storefront security systems are designed to withstand prolonged attacks.

The unique design absorbs kinetic energy by allowing the security panel unrestricted movement in the frame. The flexibility of the ArmorPlast infill dissipates shock waves evenly throughout the sheet.

Pressure/Temperature Balance

ArmorPlast Gen II Standard and HD Retrofit Security Systems are designed to mitigate condensation by utilizing a passive ventilation process. The newly formed cavity created between the existing glass and the new security glazing is susceptible to moisture condensation during extreme temperature differences. By allowing the outside ambient atmosphere to connect to the air in the cavity, the pressure and temperature are equalized. Thus, any fogging from condensation will occur on the first surface inside the building where it can evaporate or be easily removed.

On hot days, air is drawn out of the top vents equalizing the pressure and eliminating infill panel distortion. Bottom weep holes provide input ventilation and water drainage. Any moisture collects in the system tray.

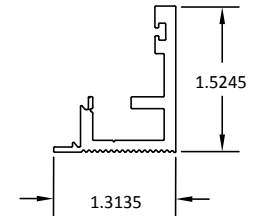
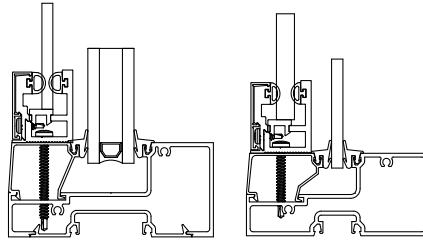


© COPYRIGHT RIOTGLASS 2023

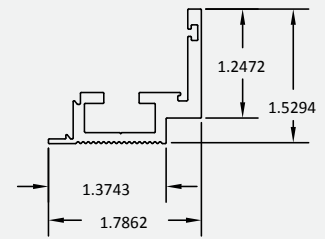
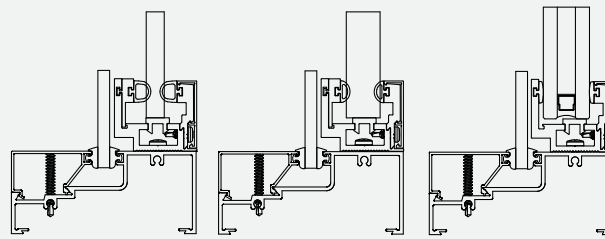
ArmorPlast® Gen II Storefront Security Systems

Common Installations

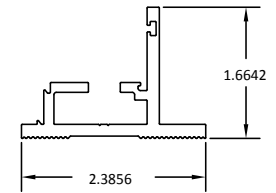
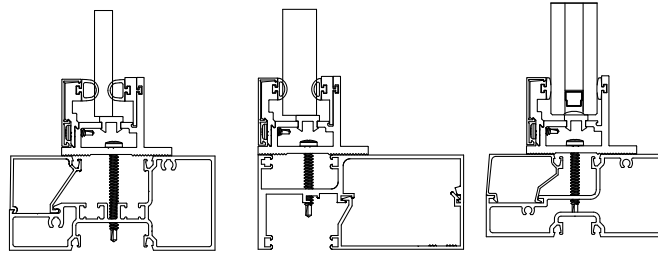
AP2-STD-SF
 Standard Storefront
 Retrofit System



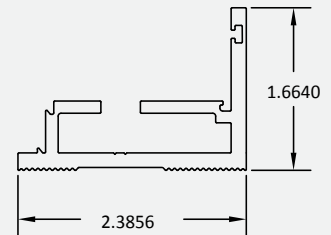
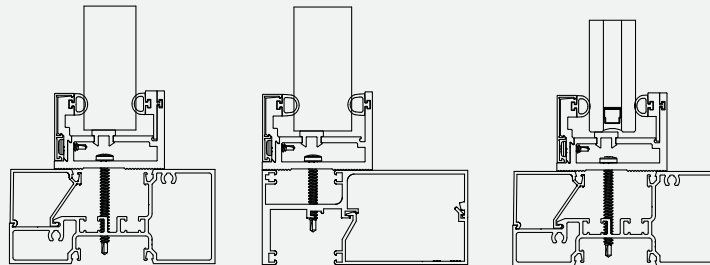
AP2-HD-SF
 Heavy Duty Storefront
 Retrofit System



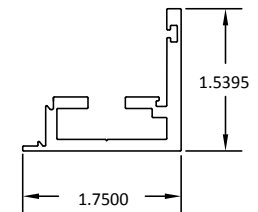
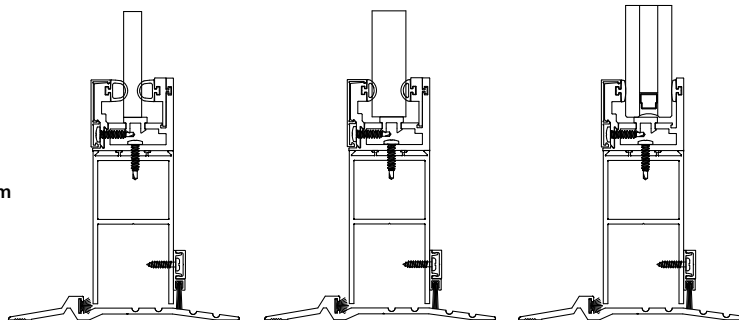
AP2-SF-HD
 Heavy Duty Storefront
 Conversion System



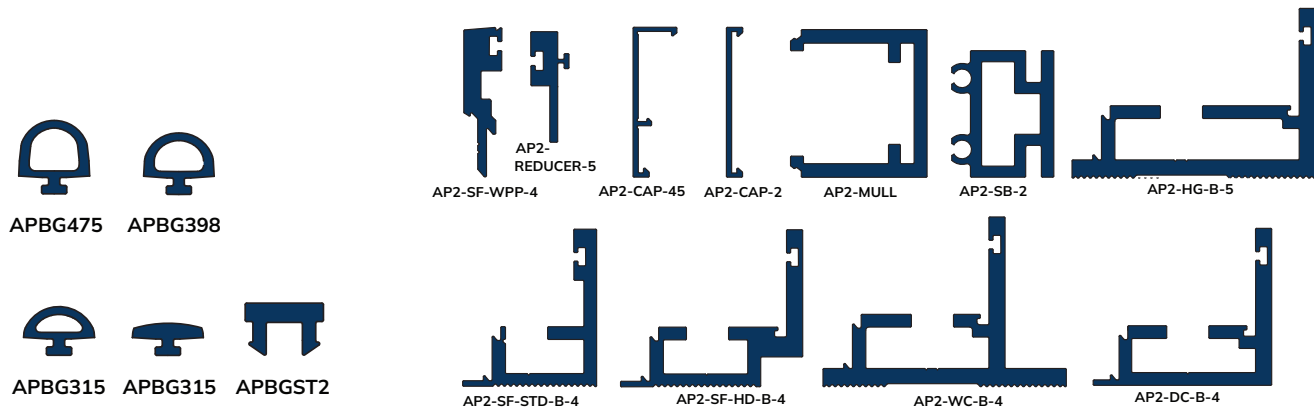
AP2-SF-HG
 Heavy Glass Storefront
 Conversion System

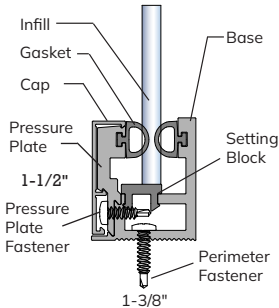
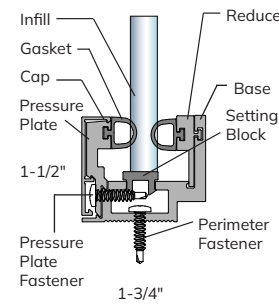


AP2-DC
 Aluminum Framed
 Door Conversion System



Parts List

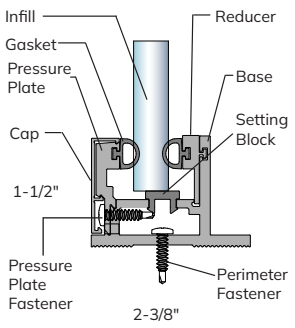
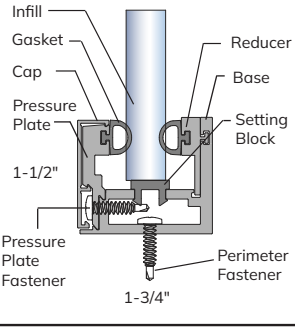
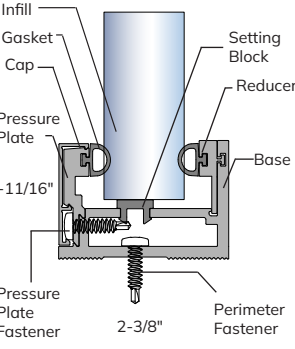


	AP2 Security System	Infill	Base	Gasket	Pressure Plate	CAP	Setting Block	Reducer
AP2-STD-SF		AP25 1/4"	AP2-SF-STD-B-4	APBG398	AP2-SF-WPP-4	AP2-CAP-45	APBGST2	N/A
		AP375 3/8"	AP2-SF-STD-B-4	APBG315	AP2-SF-WPP-4	AP2-CAP-45	APBGST2	N/A
AP2-SF-HD		AP375 AP375BR	AP-SF-HD-B-4	APBG475	AP2-SF-WPP-4	AP2-CAP-45	APBGST2	AP2-REDUCER-5
		AP75	AP-SF-HD-B-4	APBG315	AP2-SF-WPP-4	AP2-CAP-45	APBGST2	AP2-REDUCER-5
		AP100	AP-SF-HD-B-4	APBG208	AP2-SF-WPP-4	AP2-CAP-45	APBGST2	N/A
		AP375-IG 1"	AP-SF-HD-B-4	APBG208	AP2-SF-WPP-4	AP2-CAP-45	APBGST2	N/A

ArmorPlast® Gen II

Storefront Security Systems

Parts List (cont.)

	AP2 Security System	Infill	Base	Gasket	Pressure Plate	CAP	Setting Block	Reducer
AP2-WC-HD		AP375 AP375BR	AP2-WC-B-4	APBG475	AP2-SF-WPP-4	AP2-CAP-45	APBGST2	AP2-REDUCER
		AP75	AP2-WC-B-4	APBG315	AP2-SF-WPP-4	AP2-CAP-45	APBGST2	AP2-REDUCER
		AP100	AP2-WC-B-4	APBG208	AP2-SF-WPP-4	AP2-CAP-45	APBGST2	N/A
		AP375-IG 1"	AP2-WC-B-4	APBG208	AP2-SF-WPP-4	AP2-CAP-45	APBGST2	N/A
AP2-SF-DC		AP375 AP375BR	AP2-DC-B-4	APBG475	AP2-SF-WPP-4	AP2-CAP-45	APBGST2	AP2-REDUCER-5
		AP75	AP2-DC-B-4	APBG315	AP2-SF-WPP-4	AP2-CAP-45	APBGST2	AP2-REDUCER-5
		AP100	AP2-DC-B-4	APBG208	AP2-SF-WPP-4	AP2-CAP-45	APBGST2	N/A
		AP375-IG	AP2-DC-B-4	APBG208	AP2-SF-WPP-4	AP2-CAP-45	APBGST2	N/A
AP2-SF-HG		RG4	AP-SF-HD-B-4	APBG475	AP2-SF-WPP-4	AP2-CAP-45	APBGST2	N/A
		RG4LS	AP-SF-HD-B-4	APBG475	AP2-SF-WPP-4	AP2-CAP-45	APBGST2	N/A
		RG5	AP-SF-HD-B-4	APBG98	AP2-SF-WPP-4	AP2-CAP-45	APBGST2	N/A

ArmorPlast® Gen II Storefront Security Systems

Simple - Discrete - Effective
ArmorPlast®
Gen II

The Perfect Blend of Strength and Aesthetics

ArmorPlast® Gen II Storefront Security Systems

- ✓ Optimized for 1/4" to 1-1/2" security panel infills
- ✓ Compatible with most ballistic, security, and dual glazed infills
- ✓ Easy installation and re-glaze
- ✓ Available in clear and bronze anodized or painted finishes
- ✓ Front and back glazed systems are pressure and temperature balanced to mitigate condensation



Contact a Security Specialist Today

 info@riotglass.com

 800-580-2303



800-580-2303
info@riotglass.com
© Copyright Riot Glass 2023



ACCESS DENIAL SYSTEMS

Entrance & Storefront Security Glazing



Contact Us

Riot Glass, LLC

17941 Brookshire Lane
Huntington Beach, CA 92647

800-580-2303
info@riotglass.com
www.riotglass.com



Patented
#17525645
#17525545