

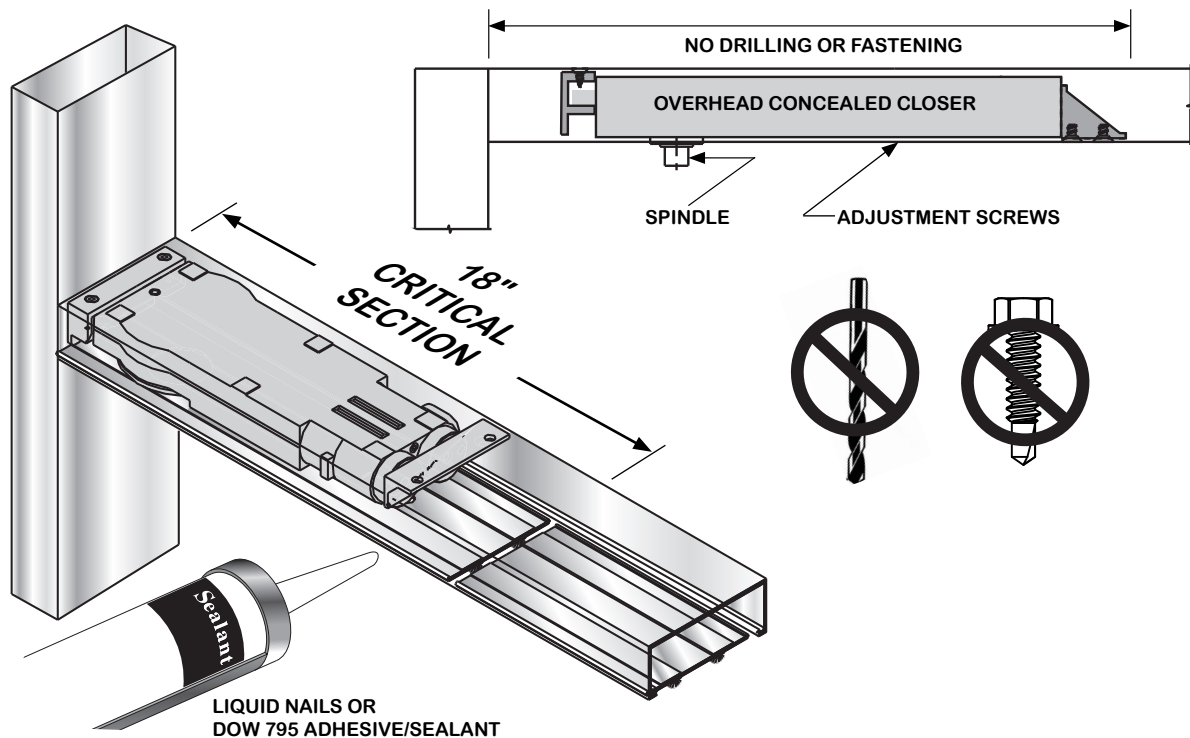
OVERHEAD DOOR CLOSER PRECAUTIONS

Caution must be used when installing Riot Glass AP25 Security Systems in the vicinity of Automatic and Manual Concealed Overhead Door Closers. Drill bits and self-drilling fasteners can penetrate hidden closer mechanisms causing hydraulic oil leakage and irreparable damage. In the case of Powered Automatic Operators mechanical penetration could result in personal injury from electrical shock.

Try to Identify possible concealed Closers or Automatic Operators inside the Transom Sill before installation.

1. Observe and note each door operation.

- Does it close slowly?
- Does it open automatically?
- Are Adjustment Screws visible from the underside of the Door Frame Head?



2. Do not drill or use fasteners directly into the 18" Critical Section if a concealed closer is present. Liquid Nails or Dow 795 Adhesive/Sealants are safe alternatives to fasteners.

- For a Full Frame Installation, use one of the recommended adhesives to attach the 18" Critical Section of base followed by fastening the polycarbonate with the provided screws.
- For Surface Mount Frames use the recommended adhesives to mount the polycarbonate directly to the existing storefront transom sill in the Critical Section. Do not use fasteners until clear of the Critical Sections.
- Mask all surrounding surfaces when using adhesives to keep exposed finishes clean.

