

JUDICIAL SECURITY

*Securing our
architectural history*



On December 23, 2022, President Biden signed the Daniel A. Claitor Judicial Security and Privacy Act to upgrade funding for the security of our federal judges. The Administrative Office of the U.S. Courts has implemented the Vulnerability Management Program. Out of that program emerged the Threat Management Branch.

Throughout 2022, the group identified several measures to try to prevent unauthorized entry to courthouse buildings, including strengthening pedestrian-accessible windows and doors with break-resistant glass or coverings, installing magnetic automatic door locks that security officers can operate remotely, and installing temporary or permanent facility perimeter barriers or fencing.

The measures were given priority because they can be implemented relatively quickly and inexpensively while more significant, costlier measures are evaluated, such as redesigning and renovating entrances, perimeter spaces, and interior public spaces.

New courthouses are designed with security in mind with minimal vulnerable access points and usually do not require further hardening. Less modern building from the last 60 years or so, of concrete and steel construction, provide a strong support bedding for mechanical anchoring.

But many of our nation's judicial properties were constructed around the turn of the century from block derived from local quarries. Unfortunately, the successful anchoring of security structures is almost solely dependent on the type of stone and the bedding plane orientation. Modern anchors are designed for high psi materials like cast concrete. Those same anchors, when installed in natural stone block, can have a high failure rate and leave destructive scars.

Historic stone block construction is to be preserved for future generations, to awe and inspire, to marvel at a long-gone craftsmanship of hand-cut precision, to forever endure.

Riot Glass, LLC is extremely proud to offer our GSA and Historic Society-approved security system designed to preserve historic stone surfaces without damage to mounting surfaces. Our J-Series has undergone extensive independent laboratory testing earning containment and forced entry ratings in addition to ballistic certification up to, and including, UL 752 Level 6. Read on to find out more about our J-Series Compression Frame System.

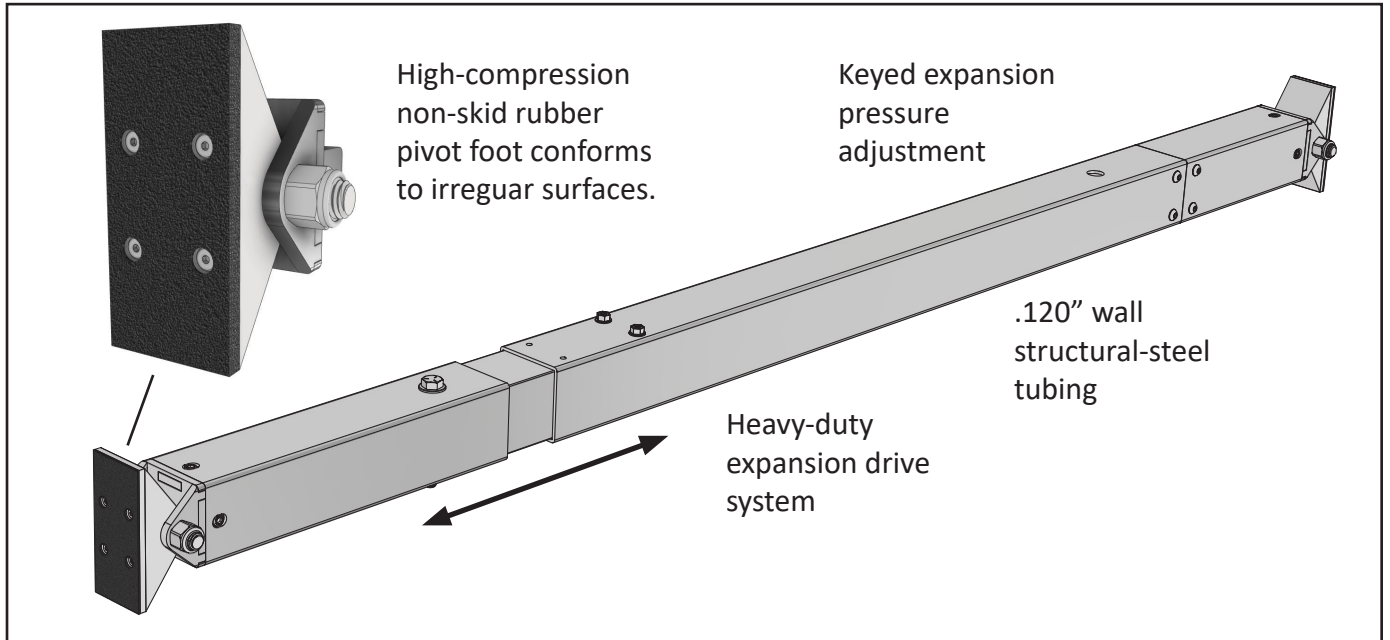
Riot Glass® J-Series 60" X 120"
Window Security System
Elbert P. Tuttle
U.S. Court of Appeals
Atlanta, GA Installed 2022



Riot Glass, LLC.
17941 Brookshire Lane
Huntington Beach, CA 92647

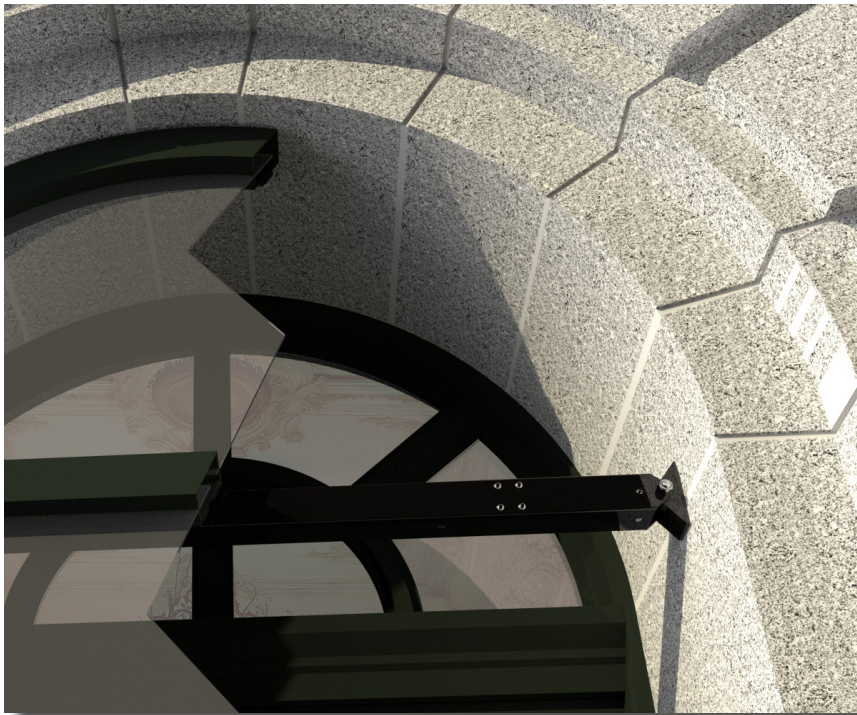
www.riotglass.com

V.04232024t



J-Series Compression Security Frame

The heart of the Riot Glass® J-Series Compression security Frame System is the expanding support bars designed to stay in place under extreme conditions. Specifically, severe weather like freezing rain, snow, searing heat, and heavy wind loads. The J-Series system is also rated to resist forced-entry by demolition tools like crowbars and sledge hammers.



J-Series compression frames provide an extremely secure base structure on which to mount any Riot Glass® ArmorPlast® window product without drilling anchor holes or adhesives that would leave marks on the surrounding stone surfaces.

J-Series systems are built to customer's specifications and shipped complete. If the maximum window size can be shipped by truck, it is shipped as one full unit. Our design engineers will provide assistance for oversize projects.

Although this document depicts arched-top window openings, J-Series works equally well with square and rectangular openings.



J-Series Compression Security Frame Installation



J-Series Compression Security Frames

Installation is quick and easy. The product is placed in the opening and the compression system is expanded to the specified torque.

Periodic maintenance should be performed by checking the torque value of the keyed input shaft. A complete checklist document is provided with your order and a special copy for the building maintenance staff.

The clear infill security panels are replaceable. Units can even be designed for future upgrades to heavier materials offering increased protection levels and ballistic ArmorPlast® products.

Riot Glass, LLC is the leading manufacturer of American-made security systems. Protecting schools, government buildings, religious organizations, and retail trade from threats is our business and our

ArmorPlast® Security Systems by Riot Glass, LLC is the result of years of access denial experience. Evolving from knowledge gained over hundreds of installations across the country, our security framing systems provide maximum protection against forced entry and ballistic threats.

Patent Pending
Application No. 18/173,601



Riot Glass, LLC.
17941 Brookshire Lane
Huntington Beach, CA 92647

www.riotglass.com

Riot Glass®

J-Series Compression Security Frame System



Available ArmorPlast® Security Protection

P/N	Properties	Certifications and Ratings	
AP25	<p>PROPERTIES</p> <p>Thickness .236" + 5%</p> <p>Weight 1.5 LBS/SQ FT</p> <p>Shading Coefficient 0.97</p> <p>U FACTOR (Winter, Summer) 0.85/0.92</p> <p>Light Transmission 88%</p>	<p>FORCED ENTRY & CONTAINMENT</p> <ul style="list-style-type: none"> w/ Gen I Framing System <ul style="list-style-type: none"> ASTM F 1233-08 Class 1.4 Contr. ASTM F 1233-08 Class 2.7 Body w/ Gen II Framing System <ul style="list-style-type: none"> ASTM F 1233-08 Class 1.3 Contr. ASTM F 1233-08 Class 1.3 Body H.P. White TP 0500 Level 1 Seq 8 UL 972 Burglary Resistant Glazing ASTM F 1915 4 for Detention HPW-TEST 5-aa 1 for Detention HPW-TP-0500.03 Forced Entry 	<p>COMPLIANCE CERTS</p> <ul style="list-style-type: none"> Miami-Dade TAS 201, 202, 203 ANSI Z97.1 Safety Glazing CPSC 16 CFR 1201 CAT I and II UL 746C: Sustainability for Outdoor Use AAMA 501.8: Resistance to Human Impact UL 94: Flammability UL 94 Propane Torch Test
AP375	<p>PROPERTIES</p> <p>Thickness 0.375" + 5%</p> <p>Weight 2.3 LBS</p> <p>U-Value 0.84</p> <p>Shading Coefficient 0.92</p> <p>Light Transmission 88%</p>	<p>FORCED ENTRY & CONTAINMENT</p> <ul style="list-style-type: none"> w/ Gen I Framing System <ul style="list-style-type: none"> ASTM F 1233-08 Class 2.4 Contr. ASTM F 1233-08 Class 2.8 Body w/ Gen II Framing System <ul style="list-style-type: none"> ASTM F 1233-08 Class 2.0 Contr. ASTM F 1233-08 Class 2.8 Body ASTM F 1915 Grade 3 H.P. White TP 0500 Level 1 Seq 8 	<p>COMPLIANCE CERTS</p> <ul style="list-style-type: none"> ANSI Z97.1 Safety Glazing CPSC 16 CFR 1201 CAT I and II UL 746C: Sustainability for Outdoor Use AAMA 501.8: Resistance to Human Impact
AP375BR	<p>PROPERTIES</p> <p>Thickness 0.390" + 5%</p> <p>Weight 2.4 lbs/sq ft</p> <p>U-Value 0.80</p> <p>Shading Coefficient 0.92</p> <p>Light Transmission 88%</p>	<p>FORCED ENTRY & CONTAINMENT</p> <ul style="list-style-type: none"> ASTM F 3038 15 Minutes w/ Gen I Framing System <ul style="list-style-type: none"> ASTM F 1233-08 Class 1.5 Contr. ASTM F 1233-08 Class 3.1 Body w/ Gen II Framing System <ul style="list-style-type: none"> ASTM F 1233-08 Class 2.3 Contr. ASTM F 1233-08 Class 3.0 Body ASTM F 1915 Grade 3 H.P. White TP 0500 Level 1 Seq 15 WMFL Level III 	<p>BALLISTIC</p> <ul style="list-style-type: none"> HPW-TP 0500.03, Level A ASTM F 1233, Class HG1 .38 Special LRN
AP75BR	<p>PROPERTIES</p> <p>Thickness 0.780" + 5%</p> <p>Weight 5.1 lbs/sq ft</p> <p>U-Value 0.65</p> <p>Shading Coefficient 0.89</p> <p>Light Transmission 88%</p>	<p>FORCED ENTRY & CONTAINMENT</p> <ul style="list-style-type: none"> ASTM F 3038 15 minute attack ASTM F 1233 Class 2.4 contr psg ASTM F 1233 Class 3.5 bdy psg ASTM F 1915 Grade 1 HP White TP 0500 Level II Seq 26 	<p>SAFETY</p> <ul style="list-style-type: none"> Combustibility Class CC2 <p>BALLISTIC</p> <ul style="list-style-type: none"> UL 752 Level 1 9mm 124 grain
AP100BR Level 2	<p>PROPERTIES</p> <p>Thickness 1.05" + 5%</p> <p>Weight 6.5 LBS/SQ FT</p> <p>Shading Coefficient 0.85</p> <p>U-Value 0.60</p> <p>Light Transmission 0.85%</p>	<p>FORCED ENTRY AND CONTAINMENT</p> <ul style="list-style-type: none"> ASTM F 1233.08 Class 5 Body Passage ASTM F 1233.08 Class 2.4 Contraband Passage ASTM F 1915.03 Grade 1 H.P. White TP 0500.03 Level IV Sequence 43 	<p>BALLISTIC</p> <ul style="list-style-type: none"> UL 752 Level 2 .357 Magnum 158 Grain jacketed lead soft point
AP100BR Level 3	<p>PROPERTIES</p> <p>Thickness 1.05" + 5%</p> <p>Weight 6.5 LBS/SQ FT</p> <p>Shading Coefficient 0.85</p> <p>U-Value 0.60</p> <p>Light Transmission 0.82%</p>	<p>FORCED ENTRY AND CONTAINMENT</p> <ul style="list-style-type: none"> UL 972: Burglary Resistant Glazing Materials ASTM F 1233.08 Class 5 Body Passage ASTM F 1233.08 Class 2.4 Contraband Passage ASTM F 1915.03 Grade 1 H.P. White TP 0500.03 Level IV Sequence 43 	<p>BALLISTIC</p> <ul style="list-style-type: none"> UL 752 Level 3 .44 Mag 240 Grain



Riot Glass, LLC.
17941 Brookshire Lane
Huntington Beach, CA 92647

www.riotglass.com